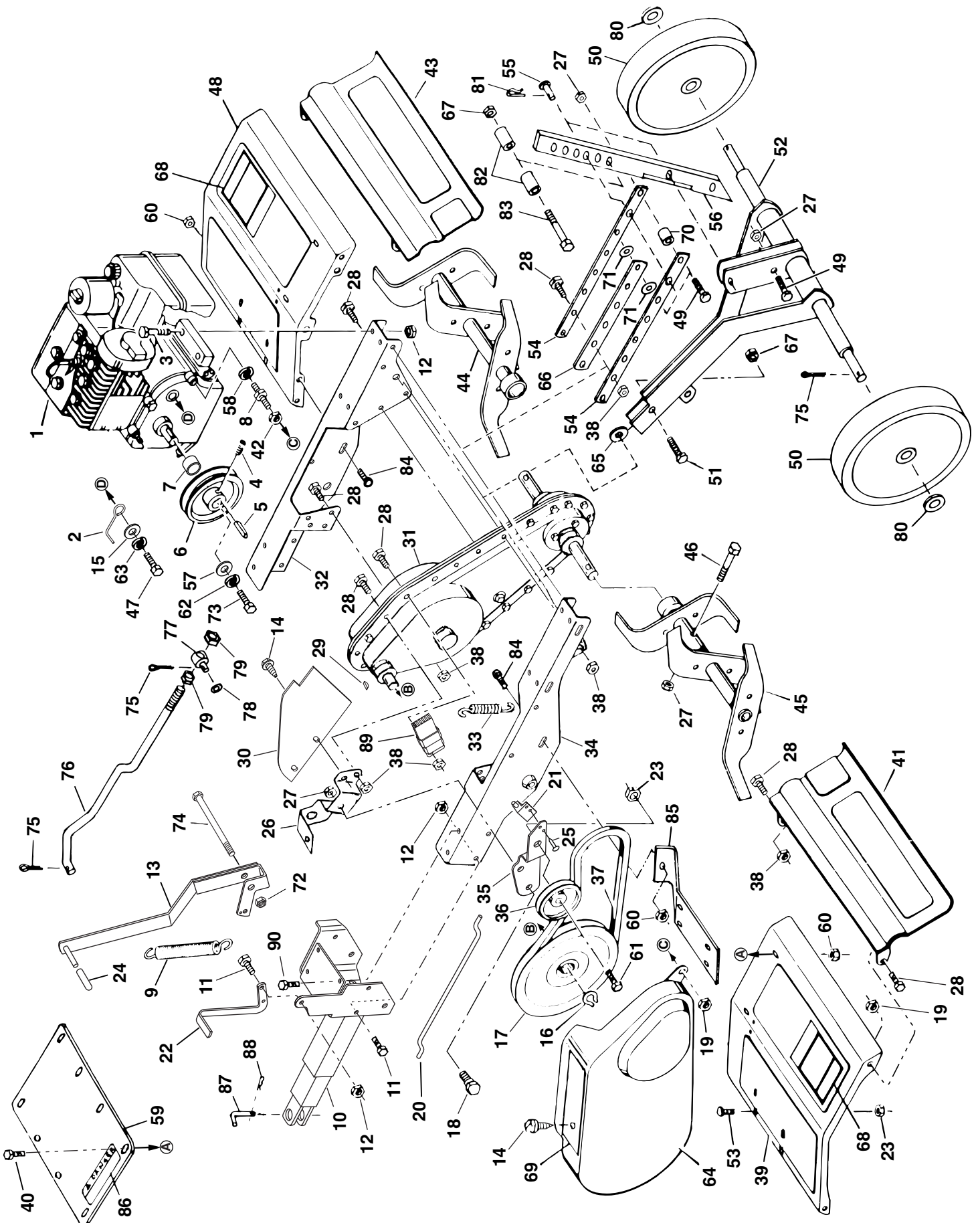


REPAIR PARTS FOR MODEL 45-03081 5 HP TOW BEHIND TILLER

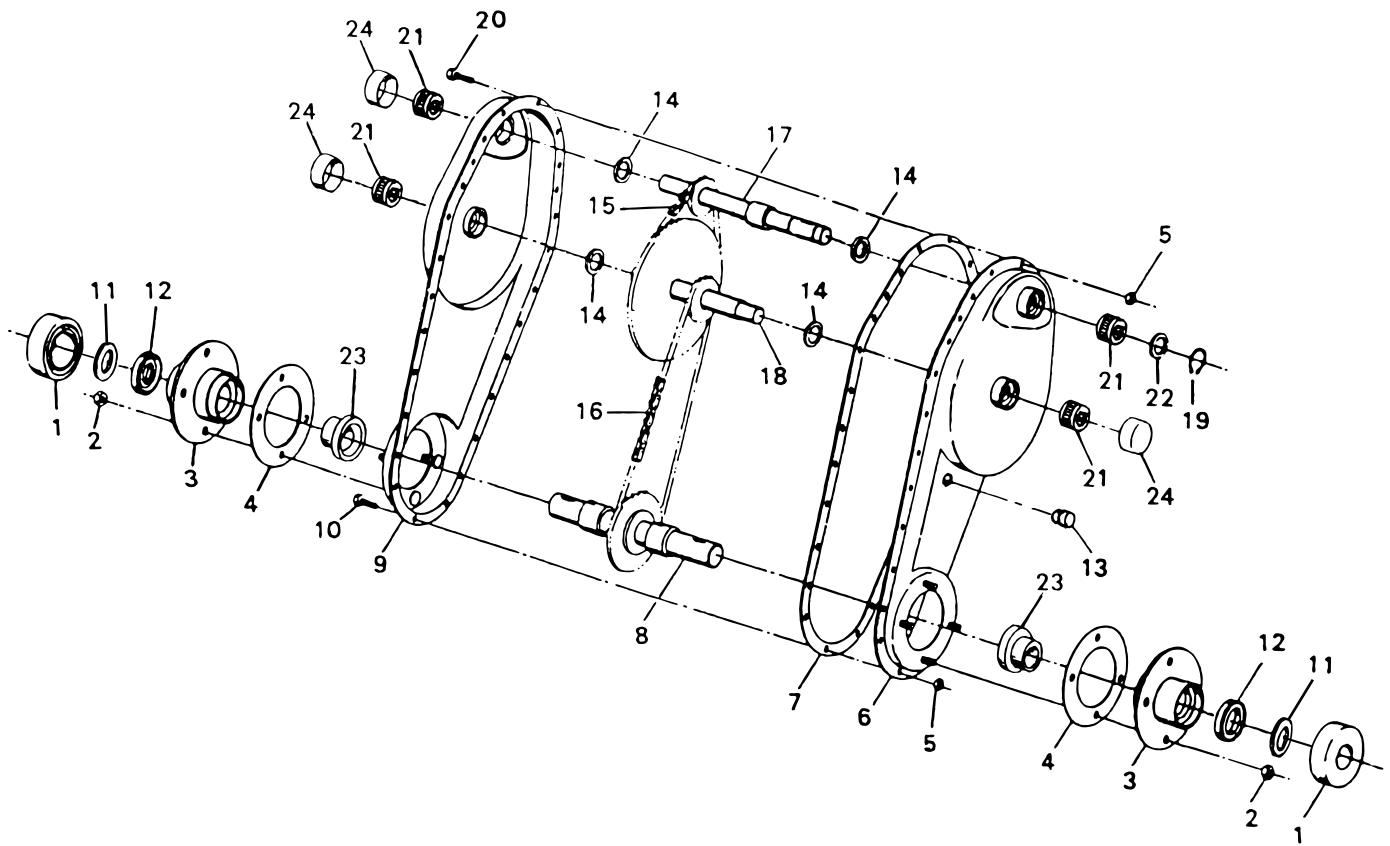


REPAIR PARTS FOR MODEL 45-03081 5 HP TOW BEHIND TILLER

Ref. No.	Part Number	Description	Qty. Req.	Ref. No.	Part Number	Description	Qty. Req.
1	126402-0161	Engine	1	46	43054	Bolt, 3/8-16 x 2"	4
2	48346	Guide - Belt	1	47	47600	Bolt, Hex 5/16-24 x 1"	1
3	43085	Bolt, 5/16-18 x 1-1/2" Hex Head	4	48	HA20935	Tine Shield Assembly - RH	1
4	HA115321	Screw, 5/16-18 x 5/16" Cup Pt. Set	1	49	43062	Bolt, 3/8-16 x 1-1/2" Hex Head	5
5	48345	Key, Square 3/16" x 7/8"	1	50	HA20918	Wheel	2
6	HA20176	Pulley	1	51	R74780828	Bolt, 1/2-13 x 1-3/4" Hex Head	1
7	750-0456	Spacer	1	52	HA20670	Pivot Axle Assembly	1
8	94917	Stud, Hex Drive	1	53	43350	Bolt, 3/8-16 x 1" Carriage	8
9	HA19860	Spring, Depth Extension	1	54	HA20725	Strap Frame Extension	2
10	64282	Hitch Bracket Assembly	1	55	HA3433	Pin, Clevis	2
11	43063	Bolt, 5/16-18 x 1" Hex Head	5	56	HA20690	Stake, Drag	1
12	43064	Locknut, 5/16-18 Hex	9	57	43352	Washer, 7/16" Std. Wrt.	1
13	64343	Lift Handle Assembly	1	58	43177	Lockwasher, 1/4" Med.	1
14	48840	Screw, Self-Tapping 1/4" x 1/2"	3	59	HA20316	Plate, Fender Support	1
15	43081	Washer, 5/16" Std. Wrt.	1	60	47810	Nut, Hex 5/16-18 Nylock	10
16	HA20135	Ring, Retainer	1	61	41576	Bolt - 3/8-16 x 1-3/4" Hex Head	1
17	HA20184	Pulley, Input	1	62	43003	Lock Washer, 3/8"	1
18	HA20178	Bolt - Shoulder	1	63	43086	Lock Washer, 5/16"	1
19	47189	Nut, Hex Nylock 1/4-20	3	64	24849	Belt Guard (incl. #69)	1
20	24848	Clutch Rod	1	65	HA14306	Washer	1
21	HA23199	Switch, Safety Interlock	1	66	HA20691	Strap-Frame Extension Brace	1
22	24847	Lever, Clutch	1	67	43262	Nut, 1/2-13 Hex Lock	2
23	HA21362	Nut, Hex Nylock 3/8-16	9	68	HA20938	Decal, Danger	2
24	HA20170	Grip, Handle	1	69	HA20942	Decal	1
25	C-9M5732	Rivet, Pop	2	70	HA5713	Spacer	1
26	HA20134	Bracket, Belt Guide & Idler Mounting	1	71	HA15200	Washer	2
27	43082	Locknut, 3/8-16 Hex	10	72	712-0261	Nut, Hex 5/18-11 Nylock	1
28	43661	Bolt, 1/4-20 x 1" Hex Head	11	73	44377	Bolt, Hex 3/8-24 x 1"	1
29	HA20185	Key, Woodruff No. 61	1	74	48278	Bolt, Hex 5/8-11 x 7-1/2"	1
30	24863	Cover, Drive	1	75	43010	Pin - 1/8" x 1-1/4" Cotter	6
31	HA20119	Transmission - Complete	1	76	HA20688	Rod - Lift	1
32	24843	Chassis, Left	1	77	HA19649	Anchor - Adjustment	1
33	HA20186	Spring, Extension	1	78	HA120396	Washer - 17/32" x 1-1/6" x .095" Flat	5
34	24844	Chassis, Right	1	79	HA124934	Nut - 1/2-20 Hex Jam	2
35	24846	Bracket, Idler	1	80	HA456151	Washer - 13/16" x 1-1/2" x .134" Flat	4
36	HA11496	Pulley, Idler	1	81	HA20481	Pin - Hair Cotter	2
37	HA20187	V-Belt	1	82	HA7974	Spacer	2
38	43013	Nut, 1/4-20 Hex Lock	9	83	R74760884	Bolt, 1/2-13 x 5-1/2" Hex Head	1
39	HA20936	Tine Shield Assembly - LH	1	84	44326	Bolt, 5/16-18 x 1" Carriage	6
40	43182	Bolt, 5/16-18 x 3/4" Hex Hd.	4	85	HA20932	Bracket - Wheel Weight Support	2
41	HA20112	Rear Guard Assembly - LH	1	86	HA20940	Decal, Danger	1
42	43178	Nut, Hex 1/4-20	1	87	HA5236	Pin, Hitch	1
43	HA20113	Rear Guard Assembly - RH	1	88	714-0117	Pin - Hair Cotter 5/32"	1
44	HA20094	Tine & Hub Assembly - RH	1	89	64284	Module	1
45	HA20088	Tine & Hub Assembly - LH	1	90	HA23193	Screw, 3/8-16 x 1" Thd. Forming	4
				NP	48374	Owner's Manual	1

*Standard Hardware - Purchased Locally

REPAIR PARTS FOR MODEL 45-03081 5 HP TOW BEHIND TILLER



Ref. No.	Part Number	Description	Qty. Req.
1	HA20344	Dust Cap	2
2	43064	Locknut, 5/16-18 *	8
3	HA20123	Flange & Bearing Assy	2
4	HA20122	Gasket, Flange	2
5	43013	Locknut, 1/4-20 Hex *	17
6	HA20120	Drive Housing & Bearing Assy - LH	1
7	HA20136	Gasket, Drive Housing	1
8	HA20127	Tine Shaft Assy	1
9	HA20121	Drive Housing & Bearing Assy - RH	1
10	43866	Bolt, Hex 1/4-20 x 5/8" Grade 8	15
11	HA20125	Washer, Felt	2
12	HA20124	Seal, Rubber	2
13	HA20130	Plug, Transmission Oil	1
14	HA20129	Washer, Thrust	4
15	HA20132	Chain Assembly #40	1
16	HA20128	Chain Assembly #50	1
17	HA20133	Input Shaft Assembly	1
18	HA20131	Idler Shaft Assembly	1
19	HA20135	Ring, Retainer 5/8" Dia. Shaft	1
20	43012	Bolt - 1/4-20 x 3/4" Hex Head *	2
21	HA20137	Bearing	4
22	HA20145	Seal	1
23	HA20155	Bearing, Flange	2
24	HA20138	Cap, Bearing	3

*Standard Hardware - Purchased Locally